

MODULE CEDI : VNX



IONPURE® VNX-MAX AND VNX-MINI CONTINUOUS ELECTRODEIONIZATION (CEDI) MODULES

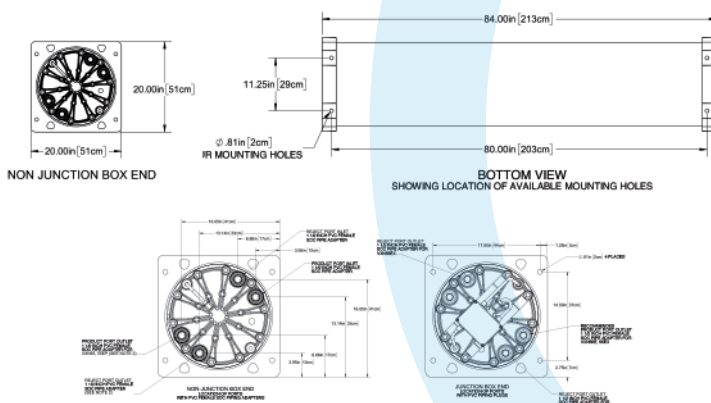
IONPURE IP-VNX-MAX AND IP-VNX-MINI CEDI MODULES

The VNX platform from IONPURE® provides the highest flow rate per module of any other CEDI module available today. The VNX-Max expands on that legacy with the same proven CEDI technology to produce high-purity water with an even higher nominal flow rate of 15 m³/h (66 gpm).

The VNX-Mini provides a nominal flow rate of 12 m³/h (52.8 gpm) in a compact package, allowing for smaller footprint high-flow systems.

VNX-Max and VNX-Mini utilize the proprietary Flexmount™ connectors for stacking VNX modules and simple hydraulic connections that keep system design and overall capital cost to a minimum.

The VNX-Max and VNX-Mini are bundled with our most advanced power controller to date, DC3® (IP-DC3PH600V-M1), a 3-phase switch mode rectifier and DC power controller, capable of up to 600 volts DC and 15 amps to ensure you have the power available to meet your performance needs.



Note: IP-VNX-MAX Module shown.

VNX-Max and VNX-Mini Features

- Typically >17 MΩ-cm product water quality at nominal flow
- Largest flow per CEDI module with maximum flow rates of 22.7 m³/h (100 gpm) on VNX-Max and 17.9 m³/h (79.2 gpm) for VNX-Mini
- 1 ppm maximum feed water hardness (as CaCO₃)
- Up to 95% recovery
- Ideal for critical boiler feed applications
- On-board junction box
- PVC connection fittings and port plugs included
- Robust, leak-free design with standard 3-year* warranty

Bundled DC3 Power Supply Features

- Direct connect from line power, no isolation transformer required
- High-efficiency, 3-phase switch-mode power supply
- 380-480 VAC, 50/60Hz input range

OPERATING ENVIRONMENT

Installation should be indoors with no direct sunlight, and should have a maximum ambient room temperature of 113°F (45°C).

MATERIALS CONSTRUCTION

- Wetted components of the VNX module consist of: PVC (adapters), nylon/ABS, polypropylene, silicone, ion-selective membranes, ion exchange resins, and thermoplastic elastomer.
- Polypropylene sanitary connectors available for purchase.
- Housing is fiberglass reinforced plastic (FRP). Standard color is white with a glossy finish; custom colors and labeling are available.
- The proprietary Flexmount™ bracket/end-block assembly is an epoxy-painted aluminum casting suitable for securing modules to the frames and/or each other in IONPURE-system-approved configurations.

QUALITY ASSURANCE STANDARDS

- CE marked: each module is factory tested to meet strict industry standards, and is manufactured in an ISO 9001 and ISO 14000 quality and environmental management system.
- Halal Certification: all IONPURE modules are manufactured in accordance with the Islamic Food and Nutrition Council of America standards (IFANCA), and will carry the Crescent M Halal logo.

Accessories Ordering Information

Ordering #	Model #	Description
W2T829935	P-POWERDSP-TP	4.3" Touch Panel Display
W2T394491	IP-CABLE50CM-G2	1.6ft (50cm) Ethernet Cable
W2T394495	IP-CABLE2M-G2	6.5ft (2m) Ethernet Cable
W3T17348	IP-VNX-CK-PP-2	Polypropylene Pipe Adapter/ Plug Kit

ORDERING INFORMATION AND SPECIFICATIONS

Order #	Module #	Description	Width inch (cm)	Height inch (cm)	Length inch (cm)	Shipping Weight lbs (kg)
W3T417955	IP-VNX-MAX-1P	VNX-Max w/ DC3 Power Supply	20" (50.8)	20" (50.8)	84" (213.3)	650 (295)
W3T417958	IP-VNX-MAX-1	VNX-Max Module Only	20" (50.8)	20" (50.8)	84" (213.3)	650 (295)
W3T417957	IP-VNX-MINI-1P	VNX-MINI w/ DC3 Power Supply	20" (50.8)	20" (50.8)	66.14" (168)	350 (159)
W3T417959	IP-VNX-MINI-1	VNX-MINI Module Only	20" (50.8)	20" (50.8)	66.14" (168)	350 (159)

Maximum Feed Water Specifications

Feed Water Conductivity Equivalent, including CO ₂ and Silica	≤ 40 µs/cm
Feed Water Source	RO Permeate or DI water
Temperature	41° - 113° F (5° - 45° C)
Inlet Pressure	6.9 bar (100 PSI)
Maximum Total Chlorine (as Cl ₂)	< 0.02 ppm
Iron (as Fe)	< 0.01 ppm
Manganese (as Mn)	< 0.01 ppm
Sulfide (S ₂ ⁻)	< 0.01 ppm
pH	4 - 11
Total Hardness (as CaCO ₃)	≤ 1.0 ppm
Dissolved Organics (TOC as C)	≤ 0.5 ppm
Silica (SiO ₂)	≤ 1.0 ppm

Typical Module Performance

	VNX-Max	VNX-Mini
Minimum Flow	7.5 m ³ /h (33 gpm)	6.0 m ³ /h (26.4 gpm)
Nominal Flow	15.0 m ³ /h (66 gpm)	12.0 m ³ /h (52.8 gpm)
Maximum Flow	22.7 m ³ /h (100 gpm)	17.9 m ³ /h (79.2 gpm)
Product Resistivity - RO permeate feed	> 17 MΩ- CM	
Product Resistivity - DI water feed	> 18 MΩ- CM	
Silica (SiO ₂) Removal	≥ 95%	
Boron (B) Removal	≥ 95%	
Sodium (Na ⁺) Removal	≥ 99.8%	
Chloride (Cl) Removal	≥ 99.8%	
Recovery	90 - 95%	
DC Voltage	0 - 600	0 - 470
DC Current	0 - 7.0	

Actual performance may be determined using the IP-Pro projection software available from Ionpure.