

# Flat back Dosing tank



## DOSING

- Dosing tanks for the safe storage of liquid chemicals products.
- The PE tanks, made by rotational moulding, are provided with a graduation in liters.
- Available with or without drip pans.
- Screw-on lid.
- Above ground installation (not underground).



## APPLICATIONS

Storage of conditioning chemicals for :

- Steam boilers,
- Cooling water circuits,
- Pretreatment of reverse osmosis,
- Sanitizing products.

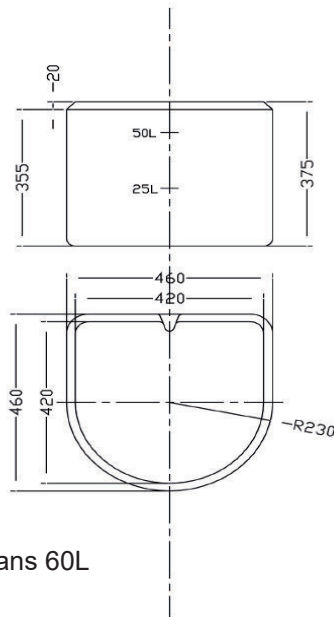
Water storage.

# Flat back dosing tank

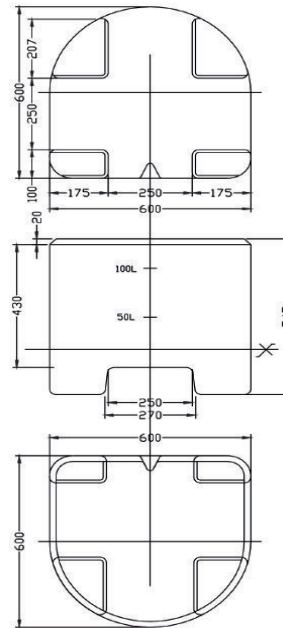


References With drip pans	Capacity (liters)	Width (mm)	Height (mm)	∅ Lid passage (mm)	Weight (kg)
DRi0060	60 L	460	710	110	8,5
DRi0125	125L	600	960	110	14,5
DRi0250	250 L	800	1025	110	30

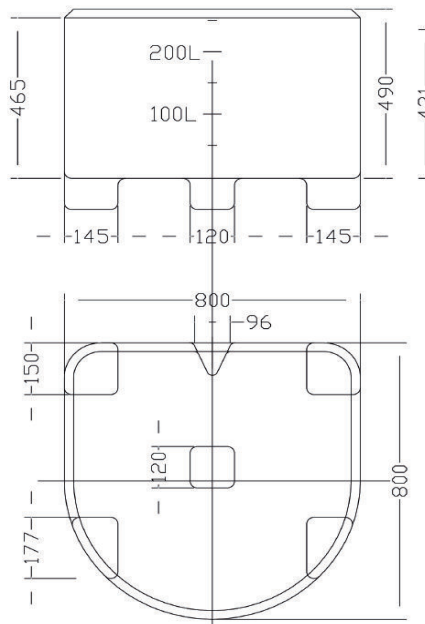
References Without drip pans	Capacity (liters)	Width (mm)	Height (mm)	∅ Lid passage (mm)	Weight (kg)
DVi0060	60L	350	705	110	4,5
DVi0125	125L	460	865	110	7,5
DVi0250	250L	600	975	110	46



Drip pans 60L



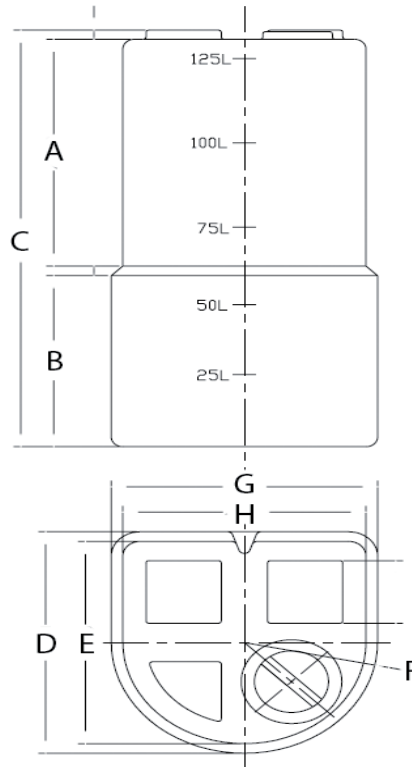
Drip pans 125L



Drip pans 250L



# Flat back dosing tank



References	A (mm)	B (mm)	C (mm)	D (mm)	E (mm)	F (mm)	G (mm)	H (mm)
DRi0060	300	370	685	460	420	R230	460	420
DRi0125	470	355	865	460	420	R230	460	420
DRi0250	470	430	960	600	560	R300	600	560

## MATERIAL

- UV stabilized polyethylene.
- Food grade.

## TECHNICAL DATA AND OPERATING CONDITIONS

- Robust design in UV stabilized PE (Polyethylene).
- Nominal capacity : 60 to 250 liters.
- Translucent tank and blue drip pans.
- Graduated tank for level display.
- Screw cap.



ADH2OC INDUSTRIAL  
 Headquarters  
 3, Rue Kercoz  
 22 220 TRÉGUIER - FRANCE  
 Tel +33 (0)2 96 40 02 50  
 Fax +33 (0)2 22 44 98 48  
[www.adh2oc-industrial.com](http://www.adh2oc-industrial.com)

Workshop  
 Lieudit «La Vallée Douard»  
 28500 CHÉRISY - FRANCE  
 Tel +33 (0)2 37 50 20 79  
 Fax +33 (0)2 22 44 98 48  
 e-mail : [infos@adh2oc-industrial.com](mailto:infos@adh2oc-industrial.com)