

Canature CS15H Monoblock Water Softeners



Electronic volumetrics Softeners

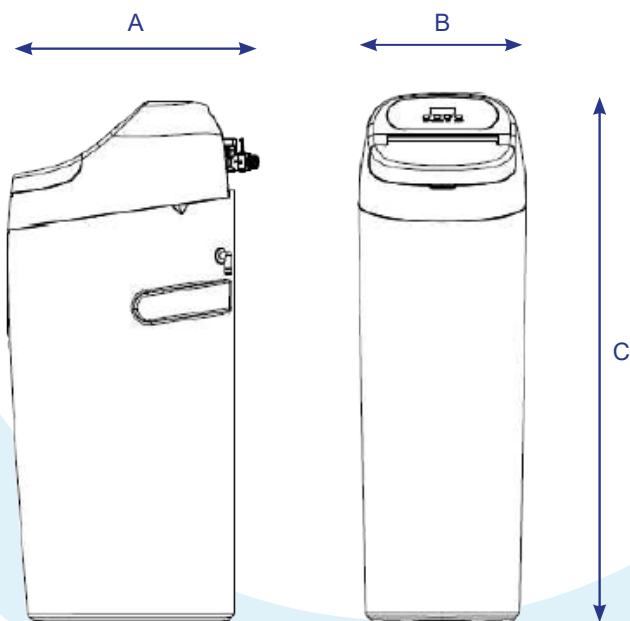


ION EXCHANGE

RESIDENTIAL SOFTENING

CANATURE CS15H MONOBLOCK SOFTENERS

- Volumetrics softeners ensuring a continuous flow of softened water with peak flow rates up to 2.5 m³/h.
- Electronic controller allowing the adjustment of all the operating cycles.
- The regeneration is chronometric or volumetric with or without time regeneration lag, and with or without priority of the time on volume.
- From 10 up to 25 liters of resin (food).



AVANTAGES

- Removes the scale deposits in the house along with the associated inconvenience.
- Preserves the life of all water using appliances in the house.
- Simplified installation with bypass and connection $\frac{3}{4}$ ".
- An integrated proportional mixer avoids the corrosion issues.
- An integrated safety device avoids the overflow of the brine tank.
- Simplified maintenance and tested solidity.

Serie CS15H Monoblock Water Softeners

TECHNICAL CHARACTERISTICS

Reference	Resin volume	Tank	Softener dimensions (mm)		
			A (L)	B (l)	C (H)
CS15H-1015	10	10 x 15"	528	346	576
CS15H-1035	25	10 x 35"	528	346	1086



- Operating pressure : 2,5 to 6 bar
- Operating temperature : 4 to 43°C

- Connections : 3/4"
- Maximum flow rate : 2.5 m³/h

WHICH SOFTENER SHOULD YOU CHOOSE ?

		Number of persons								
		1	2	3	4	5	6	7	8	9
H A R D N E S S	10°F	10L	10L	10L	10L	10L	25L	25L	25L	25L
	15°F	10L	10L	10L	25L	25L	25L	25L	25L	25L
	20°F	10L	10L	25L	25L	25L	25L	25L	25L	25L
	25°F	10L	10L	25L	25L	25L	25L	25L	N/A	N/A
	30°F	10L	25L	25L	25L	25L	25L	N/A	N/A	N/A
	35°F	10L	25L	25L	25L	25L	N/A	N/A	N/A	N/A
	40°F	10L	25L	25L	25L	N/A	N/A	N/A	N/A	N/A
	45°F	10L	25L	25L	25L	N/A	N/A	N/A	N/A	N/A
	50°F	10L	25L	25L	N/A	N/A	N/A	N/A	N/A	N/A

Selection guide assuming :

- 150 liters of water per day per person.
- Regeneration every 5 days.
- Resin exchange capacity 5,6°F/m³.
- Salt consumption 96g per liter of resin.

Water consumption per regeneration :

- 5,5 to 7L / liter of resin.



ADH2OC INDUSTRIAL
Headquarters
 3, Rue Kercoz
 22 220 TRÉGUIER - FRANCE
 Tel +33 (0)2 96 40 02 50
 Fax +33 (0)2 22 44 98 48
 www.adh2oc-industrial.com

Workshop
 12 Rue du Plateau - Lieudit «La Vallée Drouard»
 28500 CHÉRISY - FRANCE
 Tel +33 (0)2 37 50 20 79
 Fax +33 (0)2 22 44 98 48
 e-mail : infos@adh2oc-industrial.com