

Fleck Crystal Monoblock Water Softeners



Electronic volumetrics Softeners

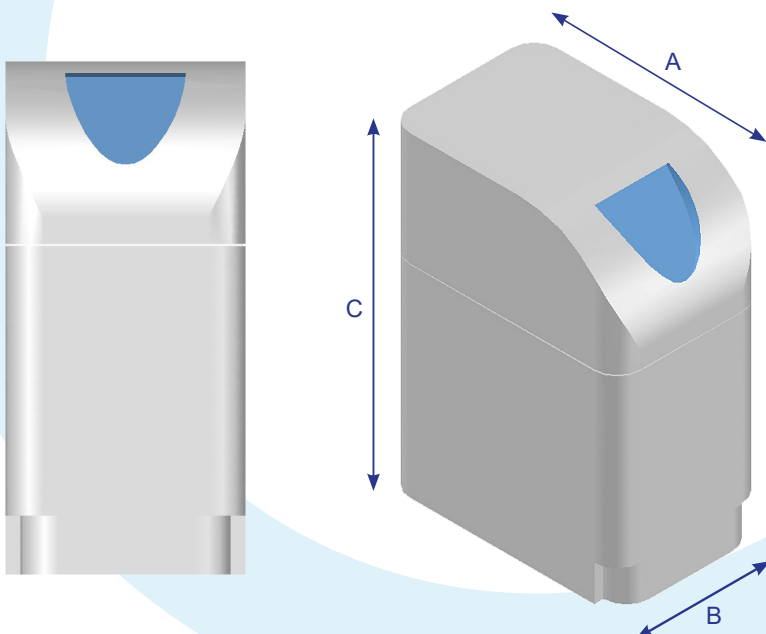


ION EXCHANGE

RESIDENTIAL SOFTENING

FLECK CRYSTAL MONOBLOCK WATER SOFTENERS

- Volumetrics softeners ensuring a continuous flow of softened water with peak flow rates up to 4.5 m³/h.
- Electronic controller allowing the adjustment of the regeneration cycles.
- Volumetric triggering proportional to the volume of treated water (possibility of priority of time on volume).
- From 4 to 30 liters of resin (food grade).
- Delivered with integrated proportional Mixer by-pass and connection 1"



ADVANTAGES

- removes the scale deposits in the house along with the associated inconvenience.
- preserves the life of all water using appliances in the house.
- simplified installation with bypass and connection 1".
- an integrated proportional mixer avoids the corrosion issues.
- an integrated safety device avoids the overflow of the brine tank.
- simplified maintenance and tested solidity.

Fleck Crystal Monoblock Water Softeners

TECHNICAL CHARACTERISTICS

Reference	Resin volume	Tank	Softener dimensions (mm)		
			A (length)	B (width)	C (height)
5600SXT-4-MB	4 L	7 x 13"	435	240	550 (pas de couvercle)
5600SXT-8-MB	8 L	8 x 17"	500	320	670
5600SXT-10-MB	10 L	8 x 17"	500	320	670
5600SXT-14-MB	14 L	10 x 17"	500	320	670
5600SXT-16-MB	16 L	8 x 35"	500	320	1140
5600SXT-20-MB	20 L	8 x 35"	500	320	1140
5600SXT-25-MB	25 L	9 x 35"	500	320	1140
5600SXT-30-MB	30 L	10 x 35"	500	320	1140

Operating pressure : 2,5 to 6 bar

Operating temperature : 2 to 45°C

Connections : 1"

Maximum flow rate : 4,5 m³/h

WHICH SOFTENER SHOULD YOU CHOOSE ?

		Number of people								
		1	2	3	4	5	6	7	8	9
H A R D N E S	10°F	4L	4L	8L	8L	10L	14L	16L	20L	25L
	15°F	4L	4L	8L	8L	10L	14L	16L	20L	25L
	20°F	4L	8L	8L	10L	14L	16L	20L	20L	25L
	25°F	4L	8L	10L	14L	16L	20L	25L	25L	30L
	30°F	4L	8L	14L	16L	20L	20L	30L	30L	N/A
	35°F	8L	10L	14L	20L	25L	25L	N/A	N/A	N/A
	40°F	8L	10L	16L	20L	25L	30L	N/A	N/A	N/A
	45°F	8L	14L	20L	25L	30L	N/A	N/A	N/A	N/A
	50°F	8L	14L	20L	25L	30L	N/A	N/A	N/A	N/A

Selection guide assuming :

- 150 liters of water per day per person.
- Regeneration every 5 days.
- Resin exchange capacity 6°F/m³.
- Salt consumption 120 g per liter of resin.

Water consumption per regeneration :

- 5,5 liters per liter of resin.



ADH2OC INDUSTRIAL
Headquarters
 3, Rue Kercoz
 22 220 TRÉGUIER - FRANCE
 Tel +33 (0)2 96 40 02 50
 Fax +33 (0)2 22 44 98 48
www.adh2oc-industrial.com

Workshop
 Lieudit «La Vallée Drouard»
 28500 CHÉRISY - FRANCE
 Tel +33 (0)2 37 50 20 79
 Fax +33 (0)2 22 44 98 48
 e-mail : infos@adh2oc-industrial.com