

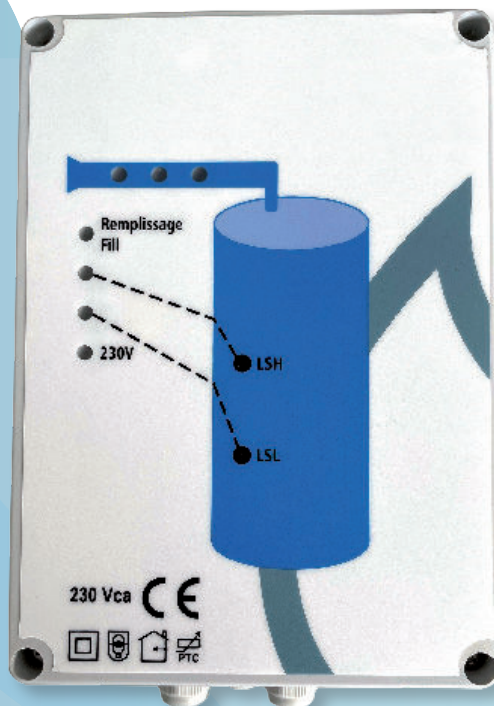
# Automatic water tank refill controller Type Easy-level



## INSTRUMENTS

### WATER TANK REFILL

- Automatic water tank refill controller
- Controls a solenoid valve between 1 or 2 level switches
- Power supply 230 V.
- Solenoid valve control 24 VDC.
- Extra relay NO/NC to recopy solenoid valve on/off (dry contact).
- Power supply LED.
- High-level and low-level LEDs.
- Water filling LEDs.



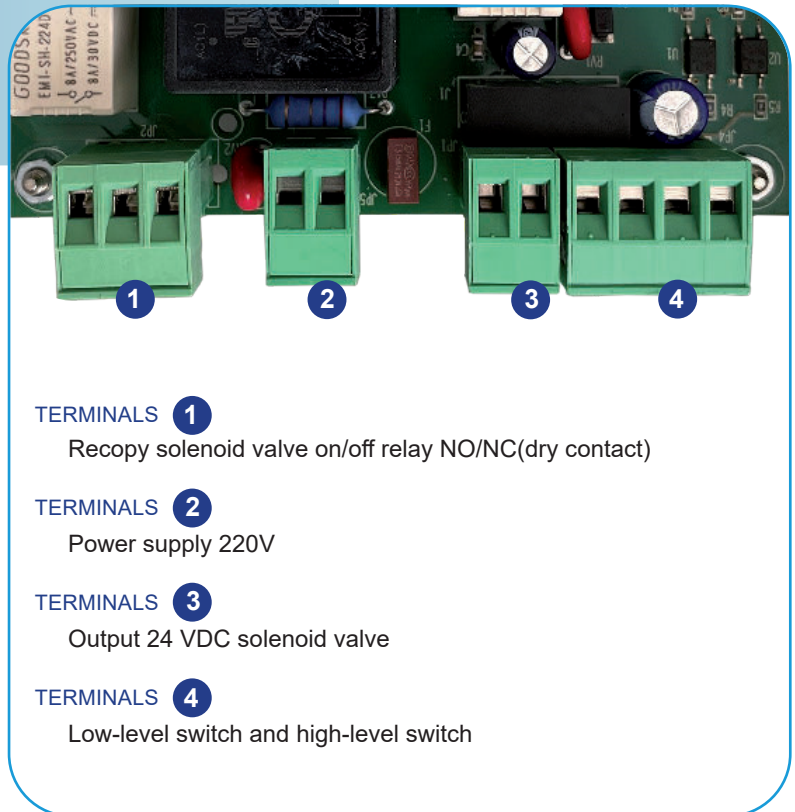
## APPLICATIONS

Water tank refilling

# Automatic water tank refill controller

## TECHNICAL CHARACTERISTICS

<b>Power Supply</b>	220 V
<b>Protection factor</b>	IP54
<b>Solenoid valve control</b>	24 VDC (max. power 19 W)
<b>Recopy solenoid valve on/off</b>	relay NO/NC(dry contact)
<b>Low and high levels open</b>	start of refill
<b>Low and high levels closed</b>	stop refill



TERMINALS **1**  
Recopy solenoid valve on/off relay NO/NC(dry contact)

TERMINALS **2**  
Power supply 220V

TERMINALS **3**  
Output 24 VDC solenoid valve

TERMINALS **4**  
Low-level switch and high-level switch