

Clack Crystal Monoblock Water Softeners



Electronics volumetrics Softeners



ION EXCHANGE

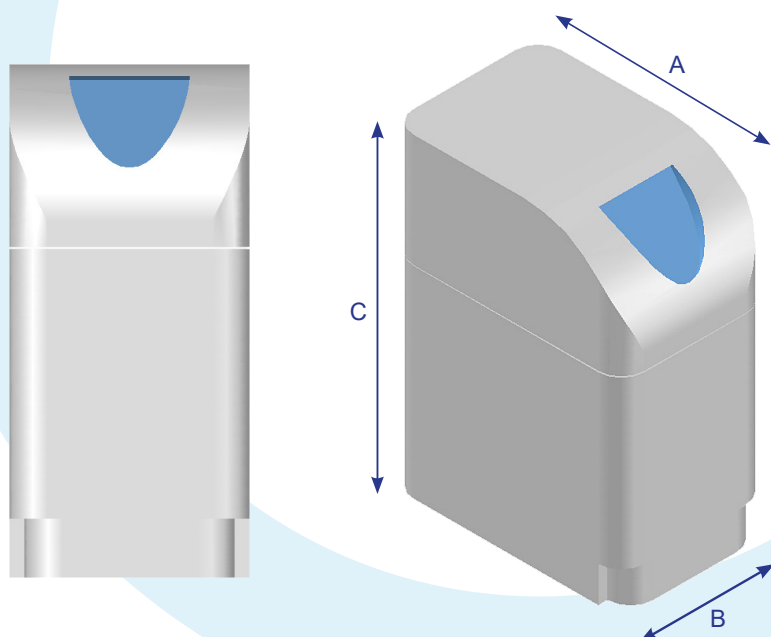
RESIDENTIAL SOFTENING

CLACK CRYSTAL MONOBLOCK WATER SOFTENERS

- Volumetrics softeners ensuring a continuous flow of softened water with peak flow rates up to 6.1 m³/h.
- Electronic controller CI allowing the adjustment of all the operating cycles.
- The regeneration is chronometric or volumetric with or without time regeneration lag, and with or without priority of the time on volume.
- From 4 up to 30 liters of resin.



ASSEMBLED IN
OUR WORKSHOPS



AVANTAGES

- Removes the scale deposits in the house along with the associated inconvenience.
- Preserves the life of all water using appliances in the house.
- Simplified installation with bypass and connection 1".
- An integrated proportional mixer avoids the corrosion issues.
- An integrated safety device avoids the overflow of the brine tank.
- Simplified maintenance and tested solidity.

Clack Crystal Monoblock Water Softeners

TECHNICAL CHARACTERISTICS

Reference	Resin volume	Tank	Softener dimension (mm)		
			A (L)	B (I)	C (H)
VWS100-4IM-V	4 L	7 x 13"	435	240	550 (no cover)
VWS100-8I-M-V	8 L	8 x 17"	500	320	670
VWS100-10I-M-V	10 L	8 x 17"	500	320	670
VWS100-14I-M-V	14 L	10 x 17"	500	320	670
VWS100-16I-M-V	16 L	8 x 35"	500	320	1140
VWS100-20I-M-V	20 L	8 x 35"	500	320	1140
VWS100-25I-M-V	25 L	9 x 35"	500	320	1140
VWS100-30I-M-V	30 L	10 x 35"	500	320	1140

Operating pressure : 2,5 to 6 bar

Operating temperature : 4 to 43°C

Connections : 1"

Maximum flow rate : 6.1 m³/h

WHICH SOFTENER SHOULD YOU CHOOSE ?

		Number of people								
		1	2	3	4	5	6	7	8	9
H A R D N E S S	10°F	4L	4L	8L	8L	8L	10L	10L	14L	14L
	15°F	4L	8L	8L	10L	14L	14L	16L	20L	20L
	20°F	4L	8L	10L	14L	16L	20L	25L	25L	30L
	25°F	4L	8L	14L	16L	20L	25L	30L	30L	N/A
	30°F	8L	10L	14L	20L	25L	30L	30L	N/A	N/A
	35°F	8L	14L	16L	25L	30L	30L	N/A	N/A	N/A
	40°F	8L	14L	20L	25L	30L	N/A	N/A	N/A	N/A
	45°F	8L	14L	20L	30L	N/A	N/A	N/A	N/A	N/A
	50°F	8L	16L	25L	30L	N/A	N/A	N/A	N/A	N/A

Selection guide assuming :

- 150 liters of water per day per person.
- Regeneration every 5 days.
- Resin exchange capacity 5°F/m³.
- Salt consumption 120 g per liter of resin.

Water consumption per regeneration :

- 5,5L / liter of resin.



ADH2OC INDUSTRIAL
Headquarters
 3, Rue Kercoz
 22 220 TRÉGUIER - FRANCE
 Tel +33 (0)2 96 40 02 50
 Fax +33 (0)2 22 44 98 48
 www.adh2oc-industrial.com

Workshop

12 Rue du Plateau - Lieudit «La Vallée Drouard»
 28500 CHÉRISY - FRANCE
 Tel +33 (0)2 37 50 20 79
 Fax +33 (0)2 22 44 98 48
 e-mail : infos@adh2oc-industrial.com