

AD 2820JMV Water meters



Demineralized water

Multi jet cold or hot water up to 90°C

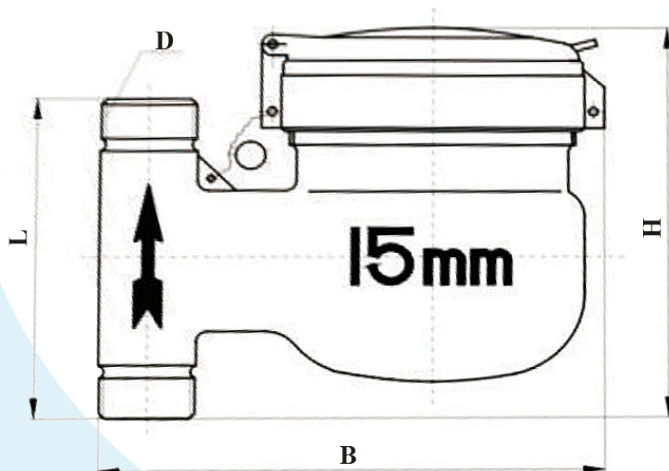


WATER METERS

DEMINERALIZED WATER

MULTI JET COLD OR HOT WATER UP TO 90°C

- Multi Jet technology.
- Dry-Dial, Magnetic drive (Resistance to exterior magnet interference).
- Measurement range up to R=100.
- Vacuum sealed register to keep a clear visibility in long term service.
- Mechanical parts of high quality material to ensure stable characteristics and long life span.
- External adjusting device (sealed).
- Upto 12 different pulsevalues :
0.25L 0.5L 1L 2.5L 5L 10L 25L 50L 100L 250L 500L 1000L
- Corps en laiton avec revêtement Époxy (extérieur) et téfl on (intérieur).
- Contact Reed 24V DC 50 mA 100 Ω.



APPLICATIONS

This range of Multi Jet water meters is used to measure the consumption or production of demineralized water.

Industrial use for cold or hot water up to 90°C.

Les parties métalliques en contact avec le fluide sont recouvertes de téflon, pour éviter la minéralisation.

Utilisez toujours des raccords téflonnés.

AD 2820JMV Water meters

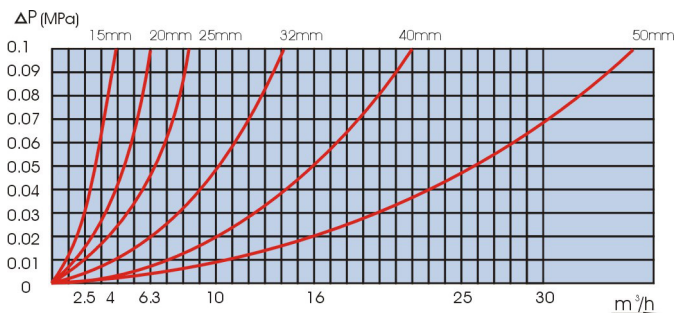
TECHNICAL SPECIFICATIONS

SIZE				
Nominal flow	Q3	m ³ /h	2,5	4,0
Meter size	DN	mm	15	20
ORDER NUMBERS		AD 2020JMV		AD 2020JMV
Standard version	R=80	1596-R80	2096-R80	
Extended version	R=100(*)	1596-R100	2096-R100	
(*) other ratio on request				
PERFORMANCES R=80				
Minimum flowrate	Q1	l/h	31,25	50
Transitional flowrate	Q2	l/h	50	80
Permanent flowrate	Q3	m ³ /h	2,5	4
Maximum flowrate	Q4	m ³ /h	3,125	5
Starting flow		l/h	6	10
WORKING CONDITIONS				
Temperature class	T30	°C	90	90
Pressure class	MAP16	bar	16	16
Pressure loss class	ΔP 63	bar	<0,63	<0,63
READING				
Minimum reading		l	0,05	0,05
Maximum reading		m ³	99999,99995	99999,99995

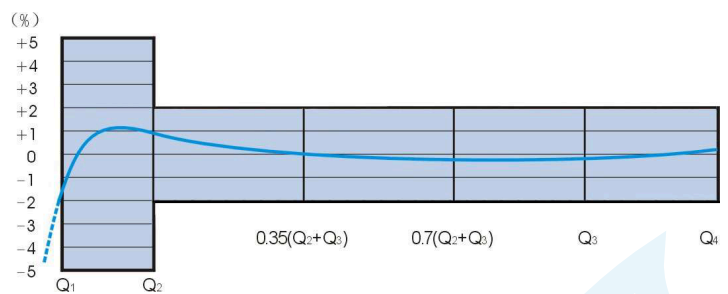
DIMENSIONS

Dimensions			15	20
Thread	D	inch	G 3/4 B	G 1
Connecting thread		inch	R 1/2	R 3/4
Length	L	mm	96	96
Width	B	mm	144	150
Height	H	mm	125	125
Weight		kg	1,5	1,7

PRESSURE LOSS CURVE



FLOW CURVE



ADH2OC INDUSTRIAL
 Headquarters
 3, Rue Kercoz
 22 220 TRÉGUIER - FRANCE
 Tel +33 (0)2 96 40 02 50
 Fax +33 (0)2 22 44 98 48
www.adh2oc-industrial.com

Workshop
 12, Rue du Plateau - Lieudit «La Vallée Drouard»
 28500 CHÉRISY - FRANCE
 Tel +33 (0)2 37 50 20 79
 Fax +33 (0)2 22 44 98 48
 e-mail : infos@adh2oc-industrial.com