

# Vaccum breaker

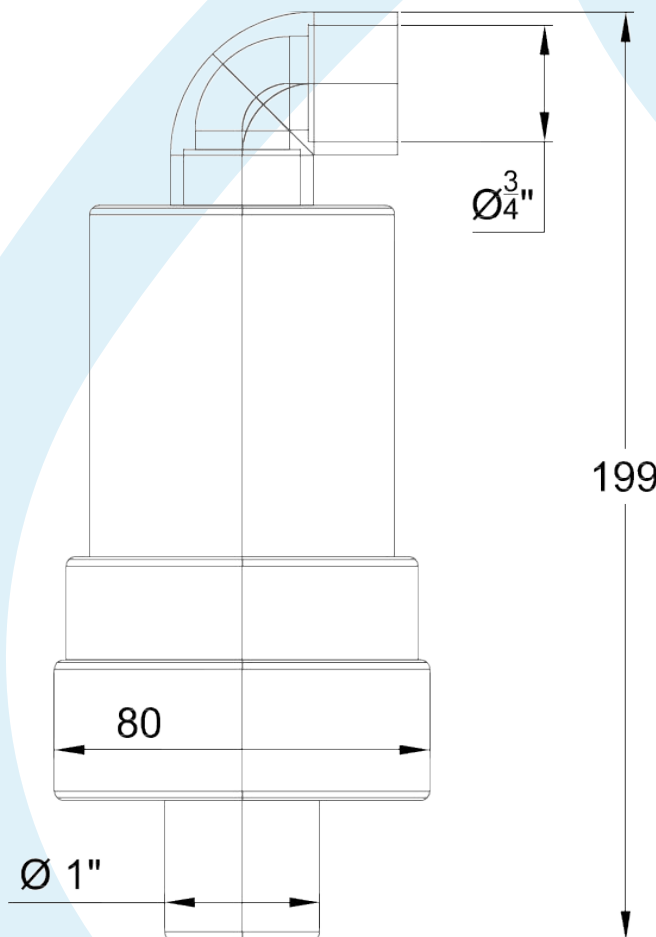
for fiberglass bottles



ION EXCHANGE

COMPOSITE BOTTLE

VACCUM BREAKER



Vaccum breaker Male R 1"  
Outlet female R  $\frac{3}{4}''$   
Vaccum breaker + air release value  
PPO  
Operating pressure max. 10 bars

Reference : W00001480



ADH2OC INDUSTRIAL  
Headquarters  
3, Rue Kercoz  
22 220 TRÉGUIER - FRANCE  
Tel +33 (0)2 96 40 02 50  
Fax +33 (0)2 22 44 98 48  
www.adh2oc-industrial.com

Workshop  
Lieu dit «La Vallée Drouard»  
28500 CHÉRISY - FRANCE  
Tel +33 (0)2 37 50 20 79  
Fax +33 (0)2 22 44 98 48  
e-mail : infos@adh2oc-industrial.com