

# UV Generator 107 - 403

300 to 600 L/h



## DISINFECTION

### UV GENERATOR

#### UV 107 - 403

UV generator for disinfecting water at a flow rate of 300 L/h to 600 L/h, the UV 107 and UV 403 address many water treatment applications.

Fault/Working LED.



UV 107

UV 403

## SPECIFICATIONS

- Generator built of 304L stainless steel.
- UVc dose of  $>300$  J/m<sup>2</sup> for water with transmittance of 99% @ 1cm, 20°C.
- Lamp life duration ~ 9000 h.
- Vertical or horizontal mounting.
- Immediate bactericidal effect
- No water storage necessary
- No chemical products used.
- No change in the physical-chemical quality of the water.
- Possibility to install several units in parallel.

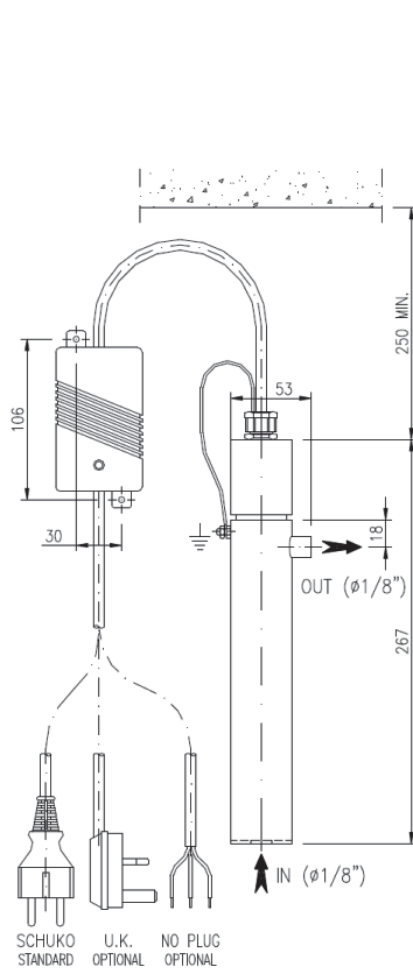
## APPLICATIONS

- Disinfection of potable water, water used in hospitals, for leisure activities, hotels.
- Disinfection for agro-food rinsing processes and bottling.
- Disinfection of sewage, recycling, aquaculture and farming water.
- Pre- and post-treatment of water for laboratories.
- Microelectronics industry rinsing water.

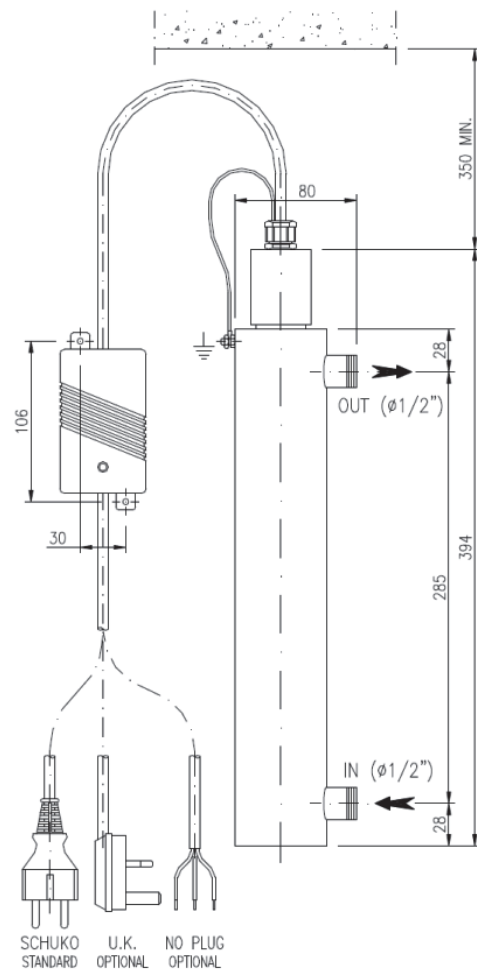
# 107-403 UV Generator

## TECHNICAL CHARACTERISTICS

	UV107	UV403
Peak flow rate (L/h)	300	600
Number of lamps	1	1
Lamp life duration (h)	<b>9000 h</b>	
UV-C dose (J/m <sup>2</sup> )	> 300	
Construction	AISI 304	
Connection (input/output)	1/8" F	1/2" M
Maximum duty pressure (bar)	9	
Electric power supply	230V - 50/60 Hz	
Power (W)	12	16
Fault/Working LED	Yes	



UV107



UV403



ADH2OC INDUSTRIAL  
 Headquarters  
 3, Rue Kercoz  
 22 220 TRÉGUIER - FRANCE  
 Tel +33 (0)2 96 40 02 50  
 Fax +33 (0)2 22 44 98 48  
 www.adh2oc-industrial.com

Workshop  
 Lieudit «La Vallée Drouard»  
 28500 CHÉRISY - FRANCE  
 Tel +33 (0)2 37 50 20 79  
 Fax +33 (0)2 22 44 98 48  
 e-mail : infos@adh2oc-industrial.com