

UV Generator 550 - 80/2

6 000 to 12 000 L/h



DISINFECTION

UV GENERATOR

UV 550 - 80/2

UV generator for disinfecting water at a flow rate of 6 000 L/h to 12 000 L/h, the 550 and 80/2 address many water treatment applications.

Control box with electrical protection, LCD display dry alarm transfer contact and remote On/Off contact.



UV550



UV80/2

SPECIFICATIONS

- Generator built of 304L stainless steel.
- UVc dose of 400 J/m² for water with transmittance of 99% @ 1cm, 20°C.
- Lamp life duration ~ 9000 h.
- Protection index: IP55.
- Vertical or horizontal mounting.
- Immediate bactericidal effect
- No water storage necessary
- No chemical products used.
- No change in the physical-chemical quality of the water.
- Possibility to install several units in parallel.

APPLICATIONS

- Disinfection of potable water, water used in hospitals, for leisure activities, hotels.
- Disinfection for agro-food rinsing processes and bottling.
- Disinfection of sewage, recycling, aquaculture and farming water.
- Pre- and post-treatment of water for laboratories.
- Microelectronics industry rinsing water.

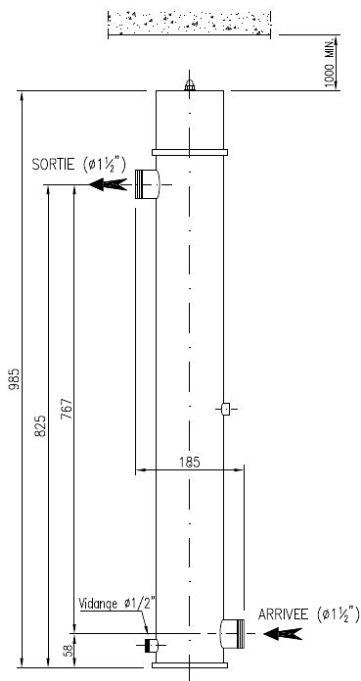
550-80/2 UV Generator

TECHNICAL CHARACTERISTICS

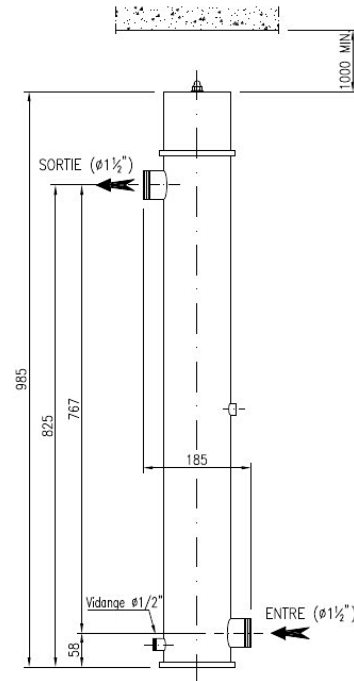
	UV550	UV80/2
Peak flow rate (L/h)	6000	12000
Number of lamps	2	2
Lamp life duration (h)	9000 h	
UV-C dose (J/m ²)	400	
Construction	AISI 304	
Connection (input/output)	1"1/2M	1"1/2M
Maximum duty pressure (bar)	10	
Electric power supply	230V - 50/60 Hz	
Power (W)	80	160
Protection index	IP 55	
LCD2 display (microprocessor control)	Yes	
Hour meter	Yes	
Resettable count down hour-meter	Yes	
On/Off Timer	Yes	
Remote On/Off contact	Yes	
Fault LED	Yes	
Fault contact (dry)	Yes	
Fault relay 230V NO/NC 2A max	Yes	
Irradiation dose display	LCD ² PLUS version	
Temperature display	LCD ² PLUS version	
Stop at high temperature	LCD ² PLUS version	
4/20 mA contact	Optional only for LCD ² PLUS version	
Cabinet dimensions (mm)	215 x 215 x 90	



LCD² (PLUS)



UV550



UV80/2



ADH2OC INDUSTRIAL
 Headquarters
 3, Rue Kercoz
 22 220 TRÉGUIER - FRANCE
 Tel +33 (0)2 96 40 02 50
 Fax +33 (0)2 22 44 98 48
 www.adh2oc-industrial.com

Workshop
 Lieudit «La Vallée Drouard»
 28500 CHÉRISY - FRANCE
 Tel +33 (0)2 37 50 20 79
 Fax +33 (0)2 22 44 98 48
 e-mail : infos@adh2oc-industrial.com