

AD 2800W Water meters



Demineralized water

Woltmann cold or hot water up to 90°C

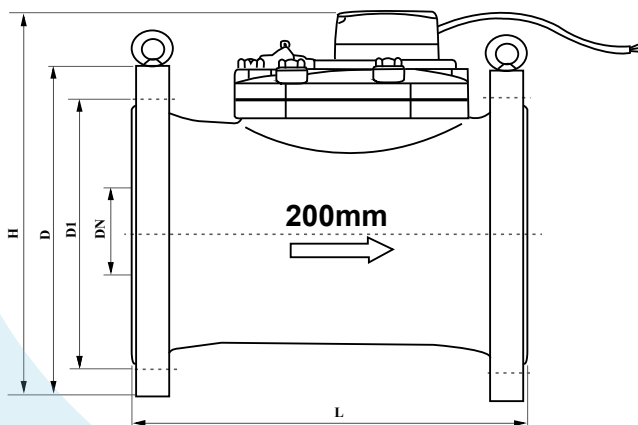


WATER METERS

DEMINERALIZED WATER

WOLTMANN COLD OR HOT WATER UP TO 90°C

- Woltmann type technology with horizontal rotor.
- Dry-Dial, Magnetic drive (Resistance to exterior magnet interference).
- Low head loss.
- Vacuum sealed register to keep a clear visibility in long term service.
- Mechanical parts of high quality material to ensure stable characteristics and long life span.
- Removable and interchangeable mechanism.
- Different pulse values are possible depending on the size of the water meters: 20, 50, 100, 250, 500 and 1000 L for the water meters from ND50 to ND200. Only 1000 and 10000 for the water meters from ND250 to ND400.
- In special execution, it is possible to have 2.5, 5, and 10L for the water meters from ND50 to ND100
- Body of brass with epoxy coating outside and Teflon coating inside.
- Reed contact 24V DC 50 mA 100 Ω.



APPLICATIONS

This range of Woltmann water meters is used to measure the consumption or production of demineralized water.

Only for industrial applications, cold or hot water 90°C max.

All parts in contact with the fluid are covered with a Teflon coating to avoid mineralisation.

AD 2800W Water meters

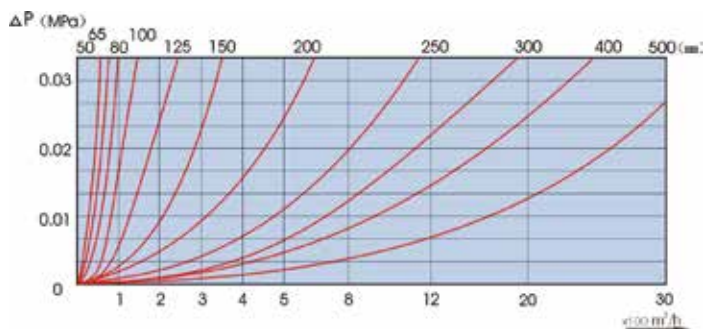
TECHNICAL SPECIFICATIONS

SIZE													
Nominal flow	Q3	m³/h	40	40/63	63	100	160	250	400	630	1000	1600	2500
Meter size	ND	mm	50	65	80	100	125	150	200	250	300	400	500
ORDERING INFORMATION AD 2800W - xx (select below)													
Standard version	R=50		50200	65200	80225	100250	125250	150300	200350	250450	300450	400500	500500
			-R50	-R50	-R50	-R50	-R50	-R50	-R50	-R50	-R50	-R50	-R50
Extended version	R=80(*)		50200-	65200	80225	100250	125250	150300	200350	250450	300450	***	***
			R80	-R80	-R80	-R80	-R80	-R80	-R80	-R80	-R80		
(*) other ratio on request													
PERFORMANCES R=50													
Minimum flowrate	Q1	m³/h	0,8	0,8	1,26	2	3,2	5	8	12,6	20	32	50
Transitional flowrate	Q2	m³/h	1,28	1,28	2,016	3,2	5,12	8	12,8	20,16	32	51,2	80
Permanent flowrate	Q3	m³/h	40	40	63	100	160	250	400	630	1000	1600	2500
Maximum flowrate	Q4	m³/h	50	50	78,75	125	200	312,5	500	787,5	1250	2000	3125
Starting flow		l/h	170	170	280	300	600	1000	1500	2500	6000	15000	20000
WORKING CONDITIONS													
Temperature class	T90	°C	90	90	90	90	90	90	90	90	90	90	90
Pressure class	MAP16	bar	16	16	16	16	16	16	16	16	16	16	16
Pressure loss class	ΔP 10	bar	<1	<1	<1	<1	<1	<1	<1	<1	<1	<1	<1
READING													
Minimum reading		l	1	1	1	1	1	1	1	1	1	1	1
Maximum reading		m³	9999999	9999999	9999999	9999999	9999999	9999999	9999999	9999999	9999999	9999999	9999999

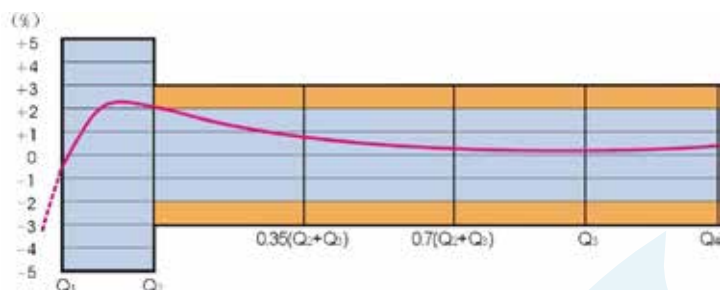
DIMENSIONS

Dimensions		50	65	80	100	125	150	200	250	300	400	500
Length	L mm	200	200	225	250	250	300	350	450	450	500	500
Width	mm	175	185	200	220	245	285	340	395	445	565	670
Height	H mm	257	267	277	287	297	375	400	484	506	621	725
Flange	D mm	165	185	200	220	245	285	340	395	445	656	670
Bolt circle Diameter	D1 mm	125	145	160	180	210	240	295	350	400	515	620
Holes ø	M	4xM16	4xM16	8xM16	8xM16	8xM16	8xM20	8xM20	12xM20	12xM20	16xM24	20xM24
Weight	kg	12	13	15	19	22	47	48	110	115	180	330

PRESSURE LOSS CURVE



FLOW CURVE



ADH2OC INDUSTRIAL
 Headquarters
 3, Rue Kercoz
 22 220 TRÉGUIER - FRANCE
 Tel +33 (0)2 96 40 02 50
 Fax +33 (0)2 22 44 98 48
www.adh2oc-industrial.com

Workshop
 Lieudit «La Vallée Drouard»
 28500 CHÉRISY - FRANCE
 Tel +33 (0)2 37 50 20 79
 Fax +33 (0)2 22 44 98 48
 e-mail : infos@adh2oc-industrial.com