

# AD 2800JM Water meters



Demineralized water

Multi jet cold or hot water up to 90°C

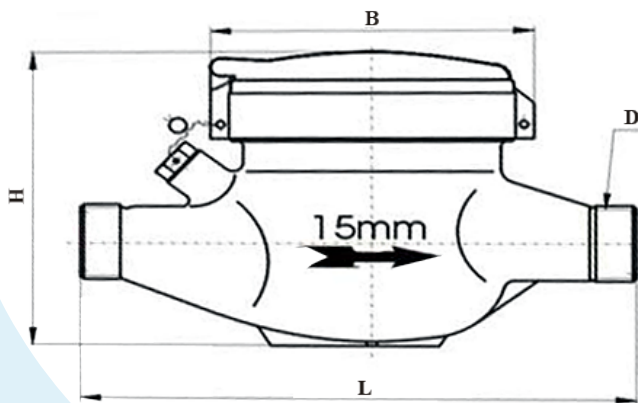


WATER METERS

DEMINERALIZED WATER

MULTI JET COLD OR HOT WATER UP TO 90°C

- Multi Jet technology.
- Dry-Dial, Magnetic drive (Resistance to exterior magnet interference).
- Measurement range up to R=160 in horizontal position.
- Vacuum sealed register to keep a clear visibility in long term service.
- Mechanical parts of high quality material to ensure stable characteristics and long life span.
- External adjusting device (sealed).
- Up to 12 different pulse values :  
0.25L 0.5L 1L 2.5L 5L 10L 25L 50L 100L 250L 500L 1000L
- Body of brass with epoxy coating outside and Teflon coating inside.
- Reed contact 24V DC 50 mA 100 Ω.



## APPLICATIONS

This range of Multi Jet water meters is used to measure the consumption or production of demineralized water.

Only for industrial applications, cold or hot water 90°C max.

All parts in contact with the fluid are covered with a Teflon coating to avoid mineralisation.

Always to be used with Teflon coated connectors.

# AD 2800JM Water meters

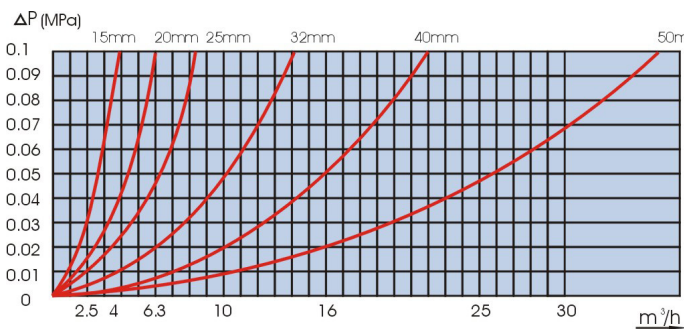
## TECHNICAL SPECIFICATIONS

SIZE								
Nominal flow	Q3	m <sup>3</sup> /h	2,5	4,0	6,3	10	16	25
Meter size	DN	mm	15	20	25	30	40	50
ORDERING INFORMATION AD 2800JM								
Standard version	R=80		15165-R80	20190-R80	25260-R80	30260-R80	40300-R80	50300-R80
Extended version	R=160(*)		15165-R160	20190-R160	25260-R160	30260-R160	40300-R160	50300-R160
(*) other ratio on request								
PERFORMANCES R=160								
Minimum flowrate	Q1	m <sup>3</sup> /h	31,25	50	78,75	125	200	312,5
Transitional flowrate	Q2	m <sup>3</sup> /h	50	80	126	200	320	500
Permanent flowrate	Q3	m <sup>3</sup> /h	2,5	4	6,3	10	16	25
Maximum flowrate	Q4	m <sup>3</sup> /h	3,125	5	7,875	12,5	20	31,25
Starting flow		l/h	5	6	8	10	35	40
OPERATING CONDITIONS								
Temperature class	T90	°C	90	90	90	90	90	90
Pressure class	MAP16	bar	16	16	16	16	16	16
Pressure loss class	ΔP 63	bar	<0,63	<0,63	<0,63	<0,63	<0,63	<0,63
READING								
Minimum reading		l	0,05	0,05	0,05	0,05	0,05	0,05
Maximum reading		m <sup>3</sup>	99999,99995	99999,99995	99999,99995	99999,99995	99999,99995	99999,99995

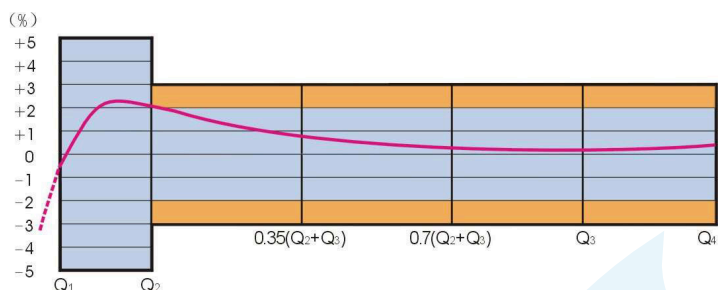
## DIMENSIONS

Dimensions			15	20	25	30	40	50
Thread	D	inch	G 3/4 B	G 1	G 1 1/4	G 1 1/2	G 2	G 2 1/2
Connecting thread		inch	R 1/2	R 3/4	R 1	R 1 1/4	R 1 1/2	R 2
Length	L	mm	165	190	260	260	300	300
Width	B	mm	99	99	104	104	125	125
Height	H	mm	110	110	120	120	155	155
Weight		kg	1,5	1,7	2,6	2,8	5,4	7,2

## PRESSURE LOSS CURVE



## FLOW CURVE



ADH2OC INDUSTRIAL  
 Headquarters  
 3, Rue Kercoz  
 22 220 TRÉGUIER - FRANCE  
 Tel +33 (0)2 96 40 02 50  
 Fax +33 (0)2 22 44 98 48  
 www.adh2oc-industrial.com

Workshop  
 Lieudit «La Vallée Drouard»  
 28500 CHÉRISY - FRANCE  
 Tel +33 (0)2 37 50 20 79  
 Fax +33 (0)2 22 44 98 48  
 e-mail : infos@adh2oc-industrial.com