

# AD 2220JMV Water meters



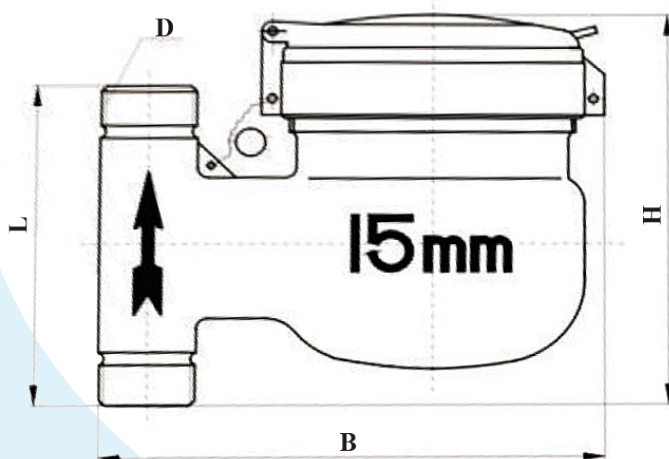
Multi jet Hot water



## WATER METERS

### MULTI JET HOT WATER

- Multi Jet technology.
- Dry-Dial, Magnetic drive (Resistance to exterior magnet interference).
- Measurement range up to R=100.
- Vacuum sealed register to keep a clear visibility in long term service.
- Mechanical parts of high quality material to ensure stable characteristics and long life span.
- External adjusting device (sealed).
- Upto 12 different pulsevalues :  
0.25L 0.5L 1L 2.5L 5L 10L 25L 50L 100L 250L 500L 1000L
- Body of brass (epoxy coated).
- Reed Contact 24V DC 50 mA 100  $\Omega$ .



## APPLICATIONS

This range of Multi Jet water meters is used to measure the consumption of hot water or wastewater.

Residential use (submetering) or industrial use.

# AD 2220JMV Water meters

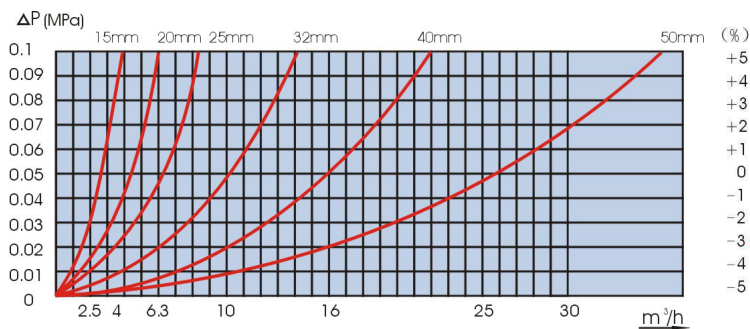
## TECHNICAL SPECIFICATIONS

<b>SIZE</b>				
Nominal flow	Q3	m <sup>3</sup> /h	2,5	4,0
Meter size	DN	mm	15	20
<b>ORDERING INFORMATION</b>			<b>AD 2220JMV</b>	<b>AD 2220JMV</b>
Standard version	R=80		<b>1596-R80</b>	<b>2096-R80</b>
Extended version	R=100(*)		<b>1596-R100</b>	<b>2096-R100</b>
(*) other ratio on request				
<b>PERFORMANCES R=80</b>				
Minimum flow rate	Q1	l/h	31,25	50
Transitional flow rate	Q2	l/h	50	80
Permanent flow rate	Q3	m <sup>3</sup> /h	2,5	4
Maximum flow rate	Q4	m <sup>3</sup> /h	3,125	5
Starting flow rate		l/h	6	10
<b>OPERATING CONDITIONS</b>				
Temperature class	T30	°C	90	90
Pressure class	MAP16	bar	16	16
Pressure loss class	ΔP 63	bar	<0,63	<0,63
<b>READING</b>				
Minimum reading		l	0,05	0,05
Maximum reading		m <sup>3</sup>	99999,99995	99999,99995

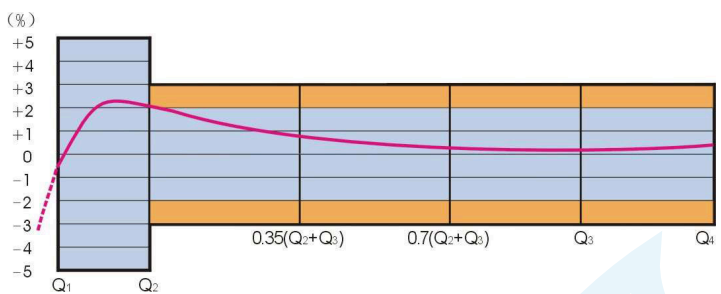
## DIMENSIONS

<b>Dimensions</b>			<b>15</b>	<b>20</b>
<b>Thread</b>	D	inch	G 3/4 B	G 1
<b>Connecting thread</b>		inch	R 1/2	R 3/4
<b>Length</b>	L	mm	96	96
<b>Width</b>	B	mm	144	150
<b>Height</b>	H	mm	125	125
<b>Weight</b>		kg	1,5	1,7

## PRESSURE LOSS CURVE



## FLOW CURVE



**ADH2OC INDUSTRIAL**  
 Headquarters  
 3, Rue Kercoz  
 22 220 TRÉGUIER - FRANCE  
 Tel +33 (0)2 96 40 02 50  
 Fax +33 (0)2 22 44 98 48  
[www.adh2oc-industrial.com](http://www.adh2oc-industrial.com)

**Workshop**  
 Lieudit «La Vallée Drouard»  
 28500 CHÉRISY - FRANCE  
 Tel +33 (0)2 37 50 20 79  
 Fax +33 (0)2 22 44 98 48  
 e-mail : [infos@adh2oc-industrial.com](mailto:infos@adh2oc-industrial.com)